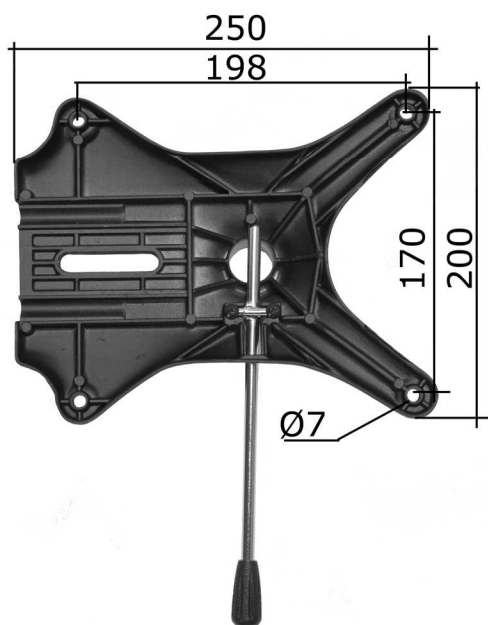
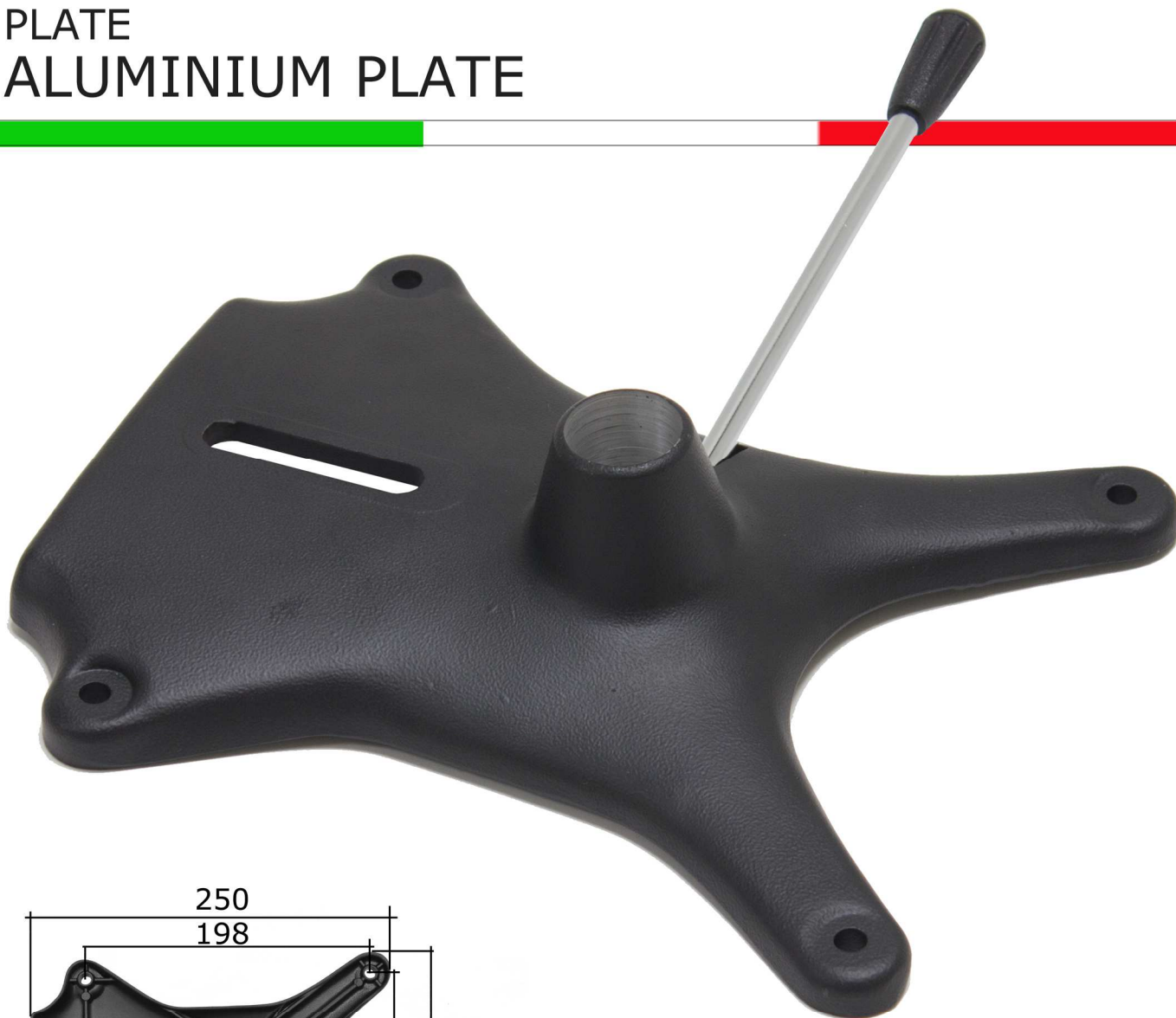


PLATE ALUMINIUM PLATE



code	dimension	finish	central cone	angle	note
63-8	250x200	Powder coated	Ø28	3°	with lever
63-8/SL	250x200	Powder coated	Ø28	3°	without lever

